

**Efficient milling tough guy**  
**-K890**

## K890 Insert

	P	Soft steel Carbon steel/alloy steel	◆	◆			
	M	Martensitic Austenitic	◆	◆			
	K	Grey Cast Iron Nodular Cast Iron	◆	◆			
	N	Nonferrous					
	S	Heat Resisting Alloy Titanium Alloy					
Type	Size (mm)					CVD Coated	PVD Coated
	W	TH	BS	R	AP	KIC920	KPM30H
SOKO 120808MER-MM	12.8	8.76	2.5	0.8	6.5	●	●
SOKO 120812MER-MM	12.8	8.76	2.0	1.2	6.5	○	○
SOKO 120816MER-MM	12.8	8.76	1.6	1.6	6.5	○	○

## Recommend Application Parameter

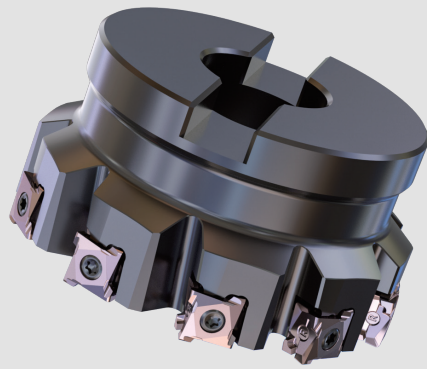
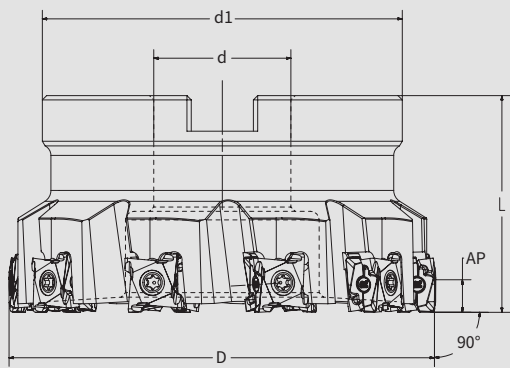
Machined Materials	HB	Coating	VC (m/min)	FZ (mm/t)	ap (mm)
P	Carbon steel 166-285	KIC920	180-350	0.12-0.2	1-6.5
		KPM30H	150-250	0.15-0.2	1-6.5
	Carbide steel 228-371	KIC920	150-300	0.1-0.13	1-6.5
		KPM30H	150-200	0.1-0.2	1-6.5
K	Grey cast iron 242	KIC920	130-210	0.1-0.15	1-6.5
		KPM30H	110-180	0.1-0.15	1-6.5
	Nodular cast iron 166	KIC920	190-300	0.15-0.2	1-6.5
		KPM30H	150-200	0.1-0.16	1-6.5

## K890 Thread Head

	Stock	Size (mm)						Accessories	
		D	M	d	L	L1	Z	Screw	Wrench
K890 ESO-2032-M16	○	32	16	17	63	40	2	KS-4010-T KS-4010-IP	KW-T15 KW-IP15
K890 ESO-3042-M16	○	42	16	17	63	40	3		

● Standard Stock ○ Customized Products

## K890 Cutter Head



Type	Stock	Size (mm)						Accessories	
		D	L	D	D1	Z	AP	Screw	Wrenth
K890 FSO-4050R-22	○	50	40	22	48	4	6.5		
K890 FSO-5063R-22	○	63	50	22	58	5	6.5		
K890 FSO-5063R-27	●	63	50	27	58	5	6.5		
K890 FSO-6080R-27	●	80	50	27	63	6	6.5		
K890 FSO-8080R-27	○	80	50	27	63	8	6.5		
K890 FSO-8100R-32	○	100	50	32	84	8	6.5	KS-4010-T KS-4010-IP	KW-T15 KW-IP15
K890 FSO-10100R-32	●	100	50	32	84	10	6.5		
K890 FSO-10125R-40	●	125	63	40	92	10	6.5		
K890 FSO-12125R-40	○	125	63	40	92	12	6.5		
K890 FSO-12160R-40	○	160	63	40	105	12	6.5		
K890 FSO-16160R-40	○	160	63	40	105	16	6.5		

● Standard Stock   ○ Customized products



KOYINCUT TOOLS CO.,LTD



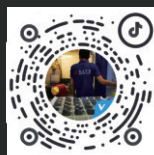
WeChat official account



Microvision



BILIBILI



Tiktok

Address: First Floor, Building A, No. 26, Hedong 3rd Road, Jin xia Community.  
Chang'an Town, Dongguan City, Guangdong Province

Phone: 0769-8507 6660/8507 8880

Website: [www.koyincut.com](http://www.koyincut.com)

Mailbox: [coyincut@163.com](mailto:coyincut@163.com)